

AZO lump breaker type KB 300 R in round design

**Sturdy and
compact design**

Gentle crushing

**Low-wear and
energy-saving**

**Various
construction
materials are
available**

Preferred applications

The unit is used for crushing and milling bulk materials with a tendency to form agglomerates, clods and lumps.

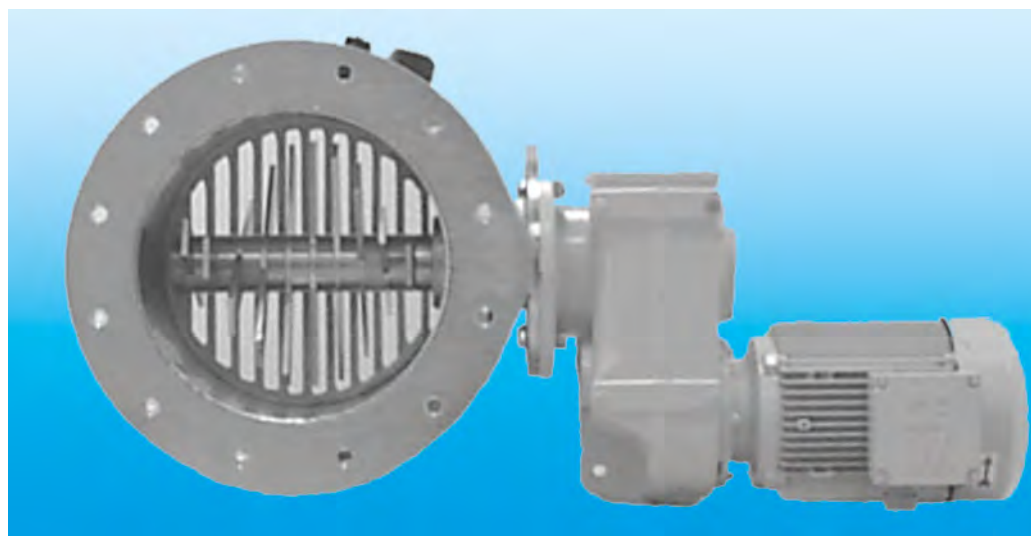
Special advantages

The sturdy but compact design of the lump breaker, take care for a reliable and gentle crushing of clods and lumps. This unit is designed energy-saving and with low wear. It is available in various construction materials and surface finishings. Due to the pharmaceutical design it can be dismantled without tools and complies with highest requirements to hygiene and cleaning.

Design

The AZO lump breaker consists of a sturdy housing with inlet and outlet flanges, crushing device and a laterally mounted gear motor. For high product columns or height falls a double bearing design is available. The unit is available with the construction material nos. 1.4301 or 1.4404 and various surface finishings including electrolytic polish.

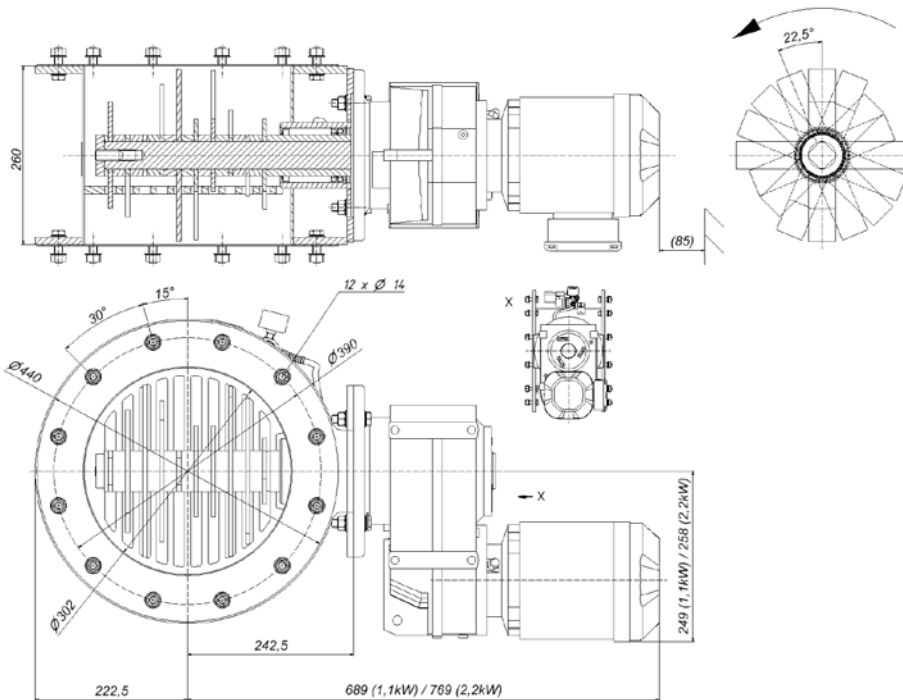
THE INNOVATION



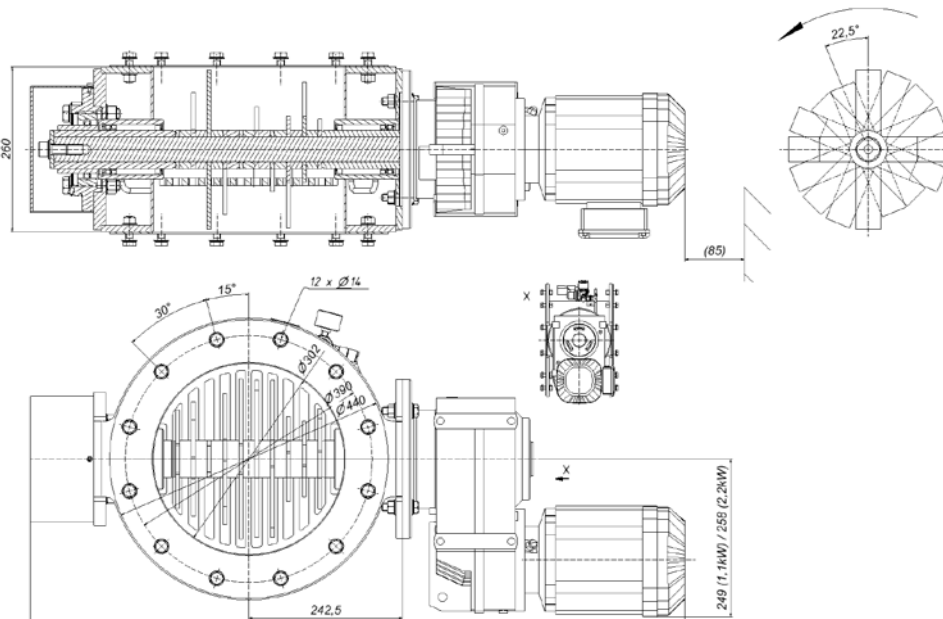
How it works

Bulk materials containing agglomerates, clods or lumps are fed into the AZO lump breaker via the inlet. The product is crushed by the crushing device and transferred to the following production process.

Technical data



Lump breaker KB 300 R - single bearing



Lump breaker type KB 300 R - double bearing

Lump breaker type KB 300 R:

Mounting position: horizontal
 Weight: approx. 100 kg
 Throughput capacity: depending on product
 Product temperatur: max. 80°C
 Ambient temperatur: 0 °C up to + 40 °C

Drive

Low speed
 Drive speed: 26 rpm (50 Hz)
 32 rpm. (60 Hz)
 Output: 1.1 kW
 System voltage: 220-242 V delta /
 380-420V star (50 Hz)
 254-277 V delta /
 440-480V star (60 Hz)
 Rated current: 4.45 / 2.55 A (50 Hz)
 3.65 / 2.10 A (60 Hz)
 Insulation class: F
 Protection type: IP 54

High speed
 Drive speed: 65 rpm (50 Hz)
 79 rpm (60 Hz)
 Output: 2.2 kW
 System voltage: 220-242 V delta /
 380-420V star (50 Hz)
 254-277 V delta /
 440-480V star (60 Hz)
 Rated current: 8.60 / 4.95 A (50 Hz)
 7.30 / 4.20 A (60 Hz)
 Insulation class: F
 Protection type: IP 54

Construction material data:

Available with the materials 1.4301 or 1.4404 and various surface finishings including electrolytic polish.