

AZO dosing screw type DFS . . . NE for conveying and dosing

**Precise feeding of
several production
lines**

**Sturdy
construction**

**High output in
coarse-stream and
highest dosing
accuracy in fine-
stream operation**

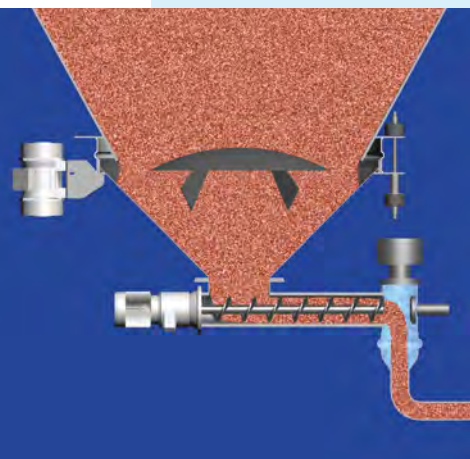
Preferred applications

For continuous and discontinuous conveying and metering of bulk materials in conveying lines and scales etc. These units can be used for almost all kinds of bulk materials in the food, plastics, chemical and pharmaceutical industry.

Special advantages

- High-quality nickel chromium steel design
- Sturdy construction suitable for vibration operation
- Pneumatically operated shutoff valve
- Slotted-hole flange for easy and fast installation
- High output in coarse-stream and supreme metering accuracy in fine-stream operation
- Can be easily integrated into a system due to the modular design
- Easy inspection and cleaning due to quick-release clamps

THE INNOVATION

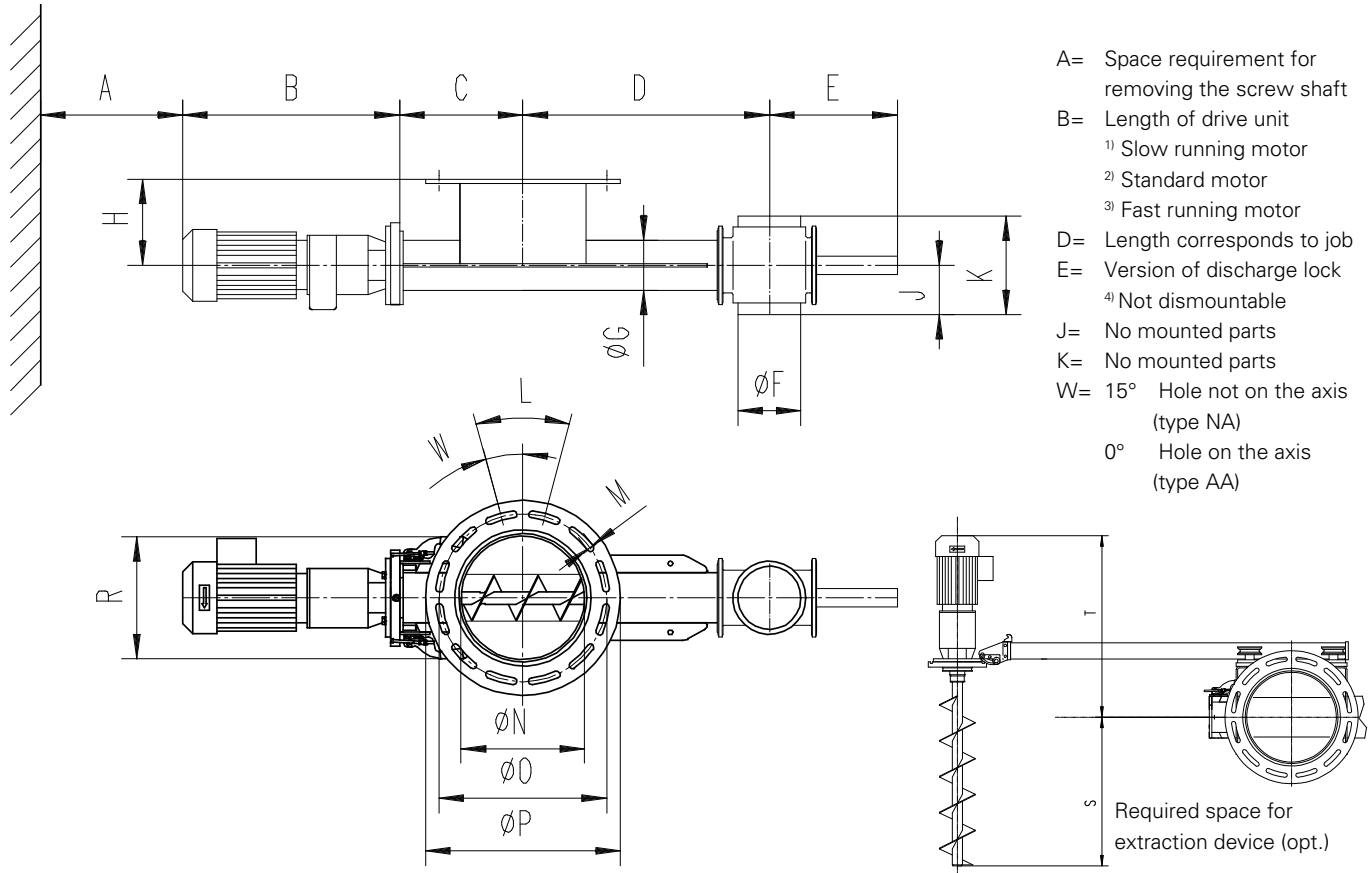


How it works

The bulk material enters the screw housing via the product inlet and is then transferred to the screw outlet. For metering and weighing operations, the drive is equipped with a frequency control. This means that a reduction of the speed results in a precise fine stream. To prevent trickling at the screw outlet after

metering, the outlet is pneumatically closed when the set weight has been reached.

Technical data



Product inlet diameter 250 mm (Type NE 250)

Type	A	B	C	D	E	ØF	ØG	H	J	K	L	M	ØN	ØO	ØP	R	S	T
DFS 50	D+200	384 ¹⁾ 394 ²⁾ 444 ³⁾	250	D	270 80 ⁴⁾	100	48	175	80	160	12x30°	14	250	340	395	216	---	---
DFS 70	D+200	371 ¹⁾ 381 ²⁾ 431 ³⁾	250	D	270 80 ⁴⁾	100	70	175	80	160	12x30°	14	250	340	395	216	---	---
DFS 100	D+190	373 ¹⁾ 423 ²⁾ 443 ³⁾	250	D	295 96 ⁴⁾	128	102	175	100	200	12x30°	14	250	340	395	248	D* + 65	B* + 130

Product inlet diameter 300 mm (Type NE 300)

Type	A	B	C	D	E	ØF	ØG	H	J	K	L	M	ØN	ØO	ØP	R	S	T
DFS 70	D+220	371 ¹⁾ 381 ²⁾ 431 ³⁾	270	D	270 80 ⁴⁾	100	70	195	80	160	12x30°	14	300	390	445	216	---	---
DFS 100	D+210	373 ¹⁾ 423 ²⁾ 443 ³⁾	270	D	295 96 ⁴⁾	128	102	195	100	200	12x30°	14	300	390	445	248	D* + 85	B* + 130
DFS 140	D+200	442 ¹⁾ 462 ²⁾ 462 ³⁾	290	D	425 138 ⁴⁾	193	140	195	125	250	12x30°	14	300	390	445	330	D* + 25	B* + 180
DFS 200	D+220	441 ¹⁾ 453 ²⁾ 522 ³⁾	350	D	580 198 ⁴⁾	303	206	210	185	370	12x30°	14	300	390	445	430	D* + 55	B* + 170